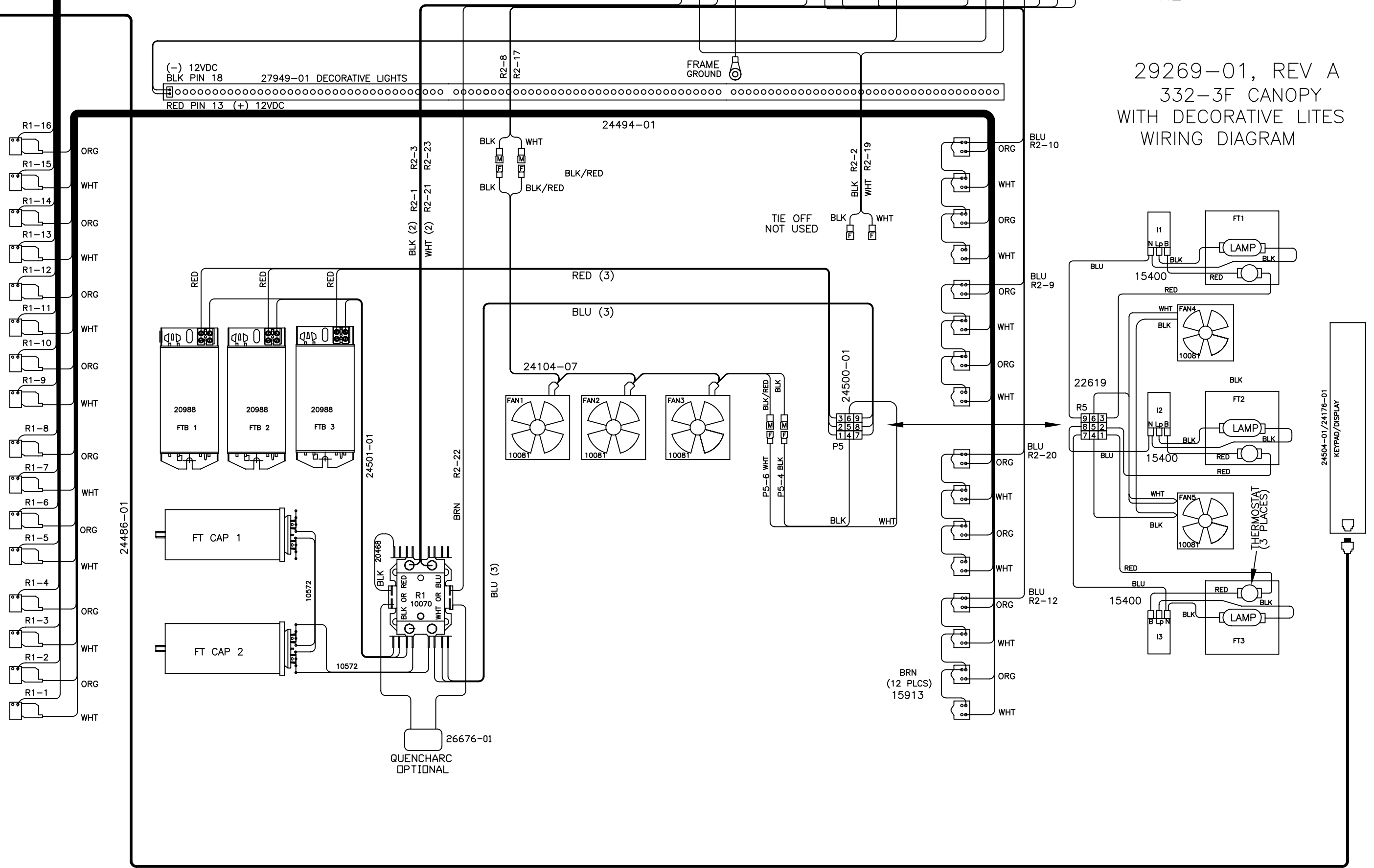
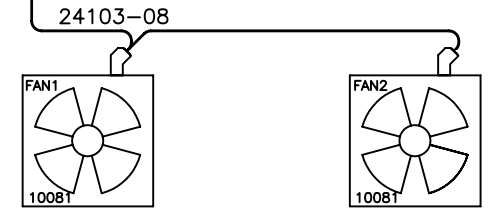
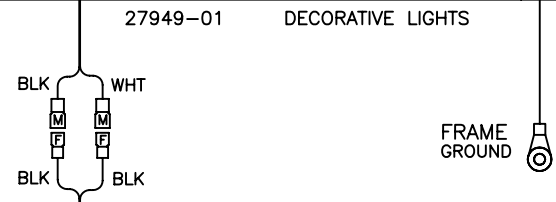
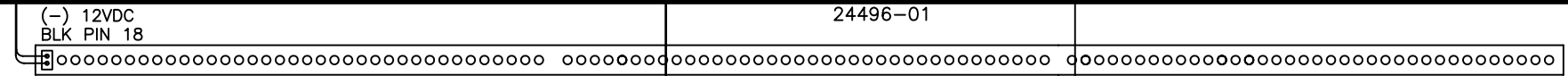
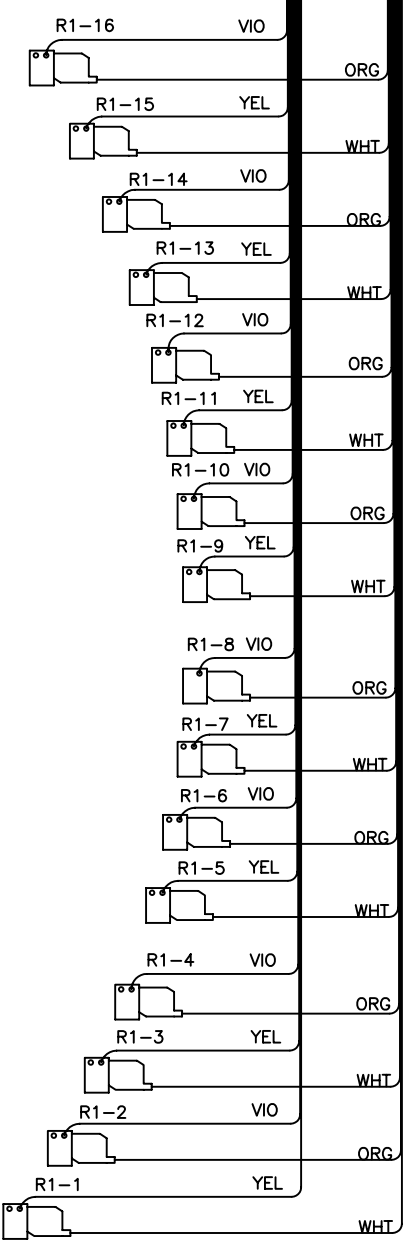
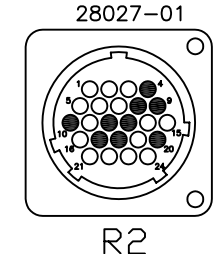
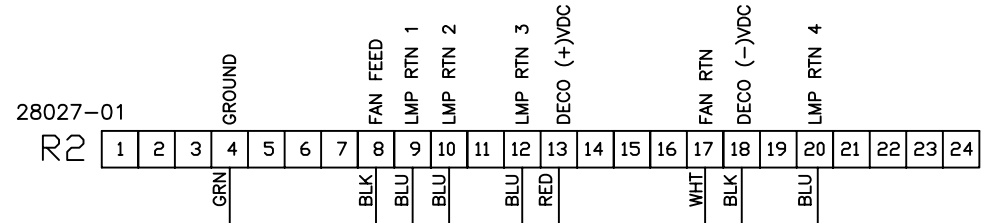
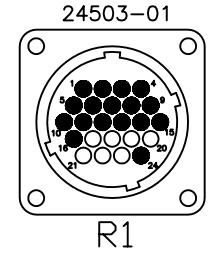
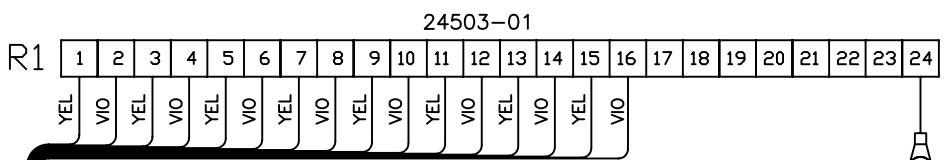
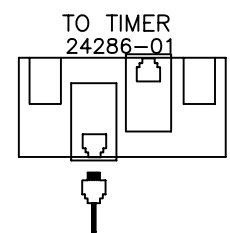


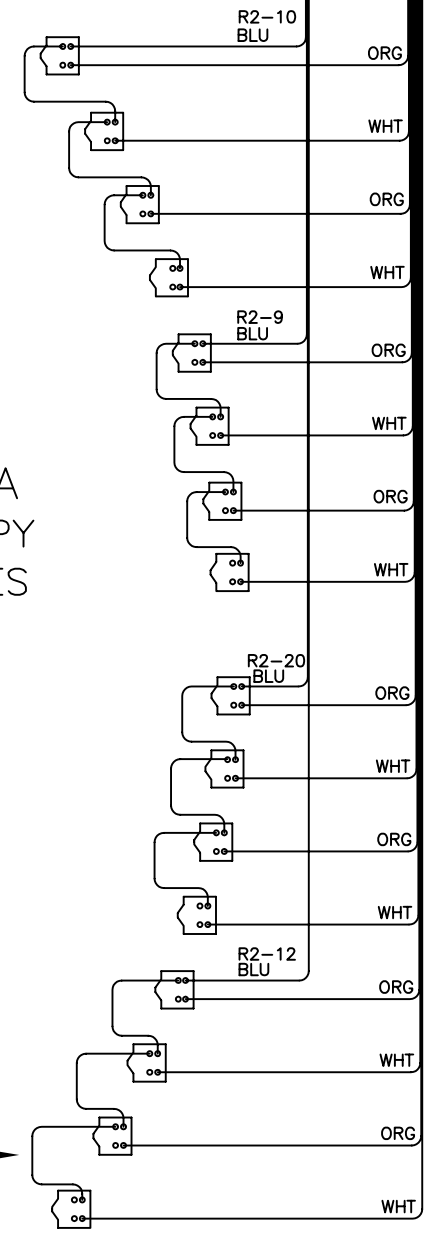
29269-01, REV A  
332-3F CANOPY  
WITH DECORATIVE LITES  
WIRING DIAGRAM



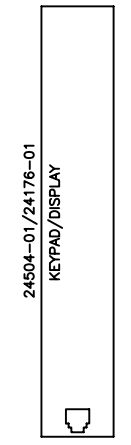
24504-01/24176-01  
KEYPAD/DISPLAY



29269-01, REV A  
332 NO FACE CANOPY  
WITH DECORATIVE LITES  
WIRING DIAGRAM



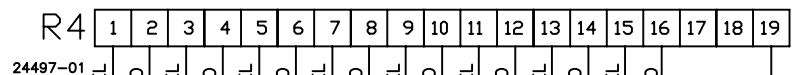
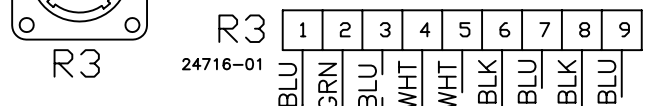
BRN  
(12 PLCS)  
15913



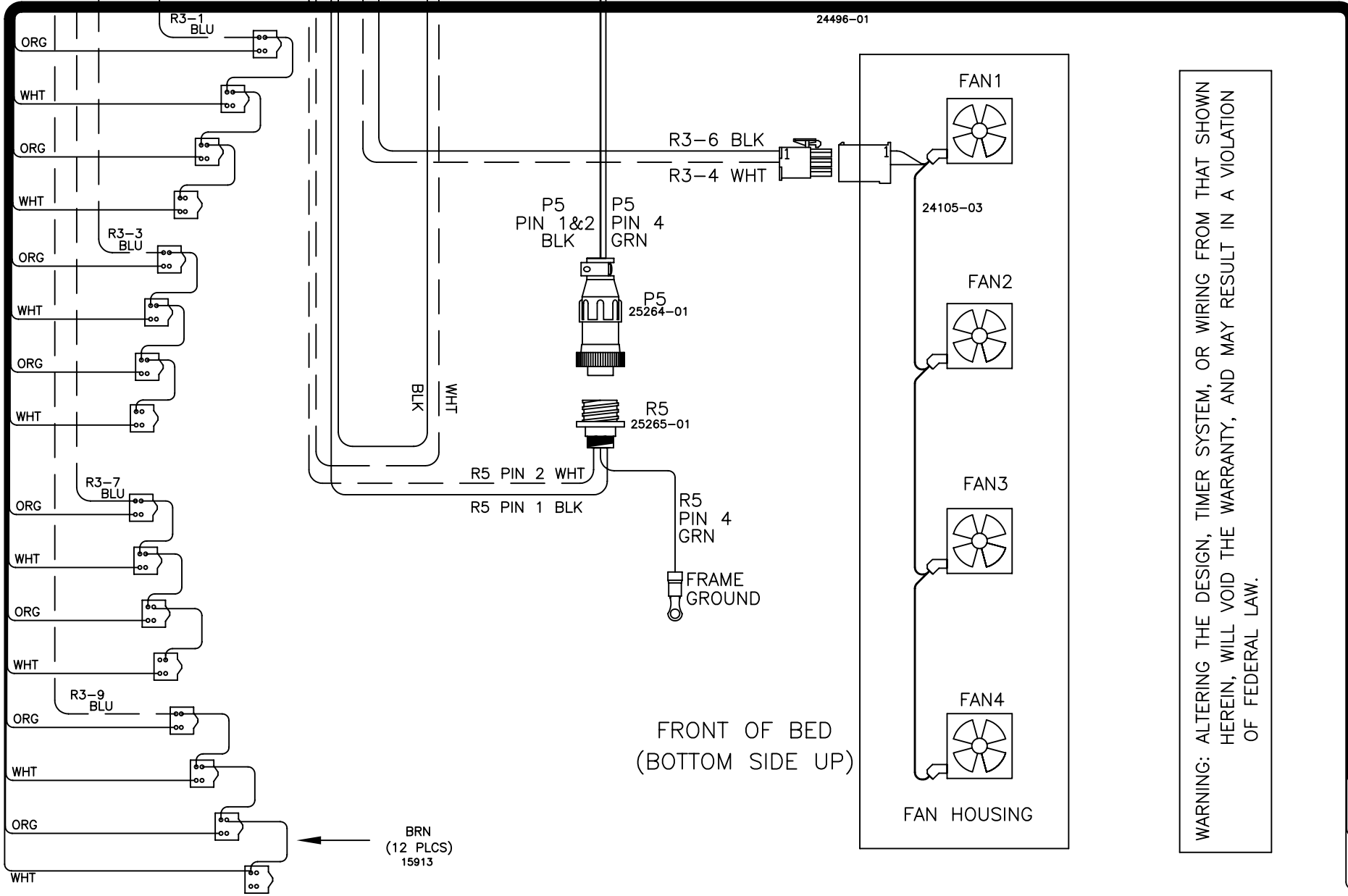
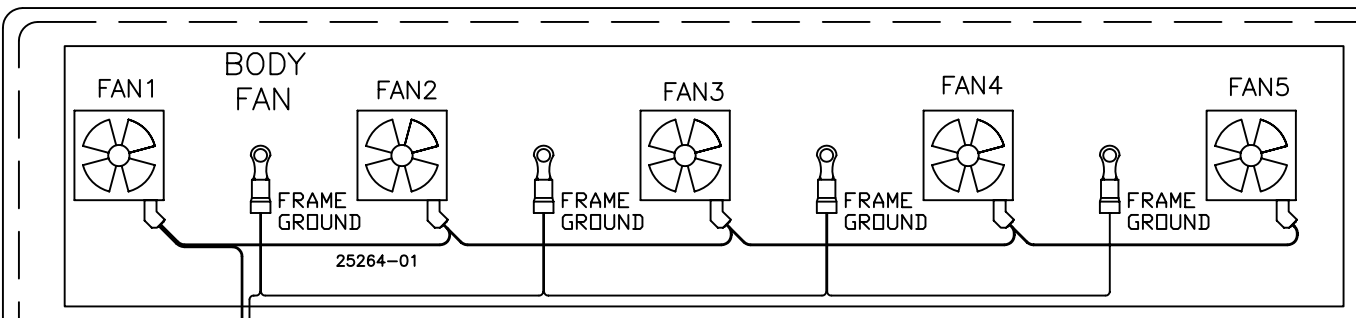
24716-01 ● = PIN USED  
○ = EMPTY

24497-01 ● = PIN USED  
○ = EMPTY

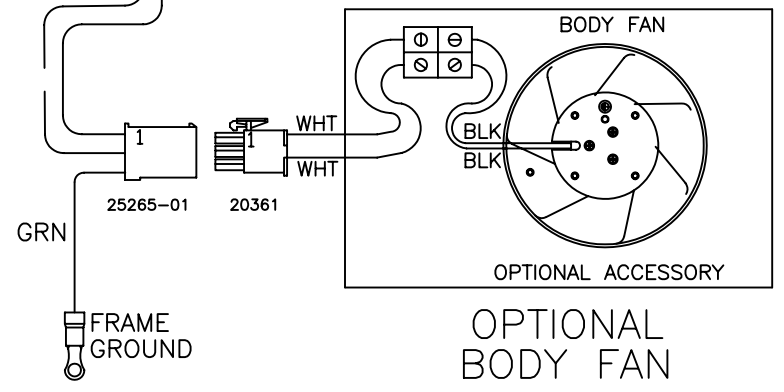
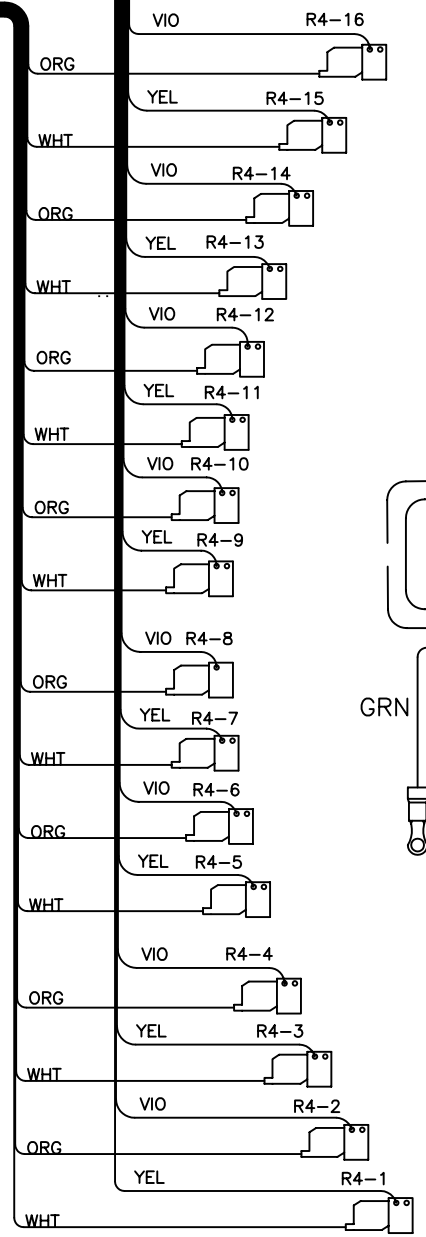
29270-01, REV A  
332 SERIES BENCH  
BENCH WIRING DIAGRAM



PIN #	R3 FUNCTIONS
1	LAMP RETURN 1
2	GROUND
3	LAMP RETURN 2
4	FAN RETURN
5	BODY FAN CONTROL
6	FAN FEED
7	LAMP RETURN 3
8	BODY FAN RTN
9	LAMP RETURN 4



WARNING: ALTERING THE DESIGN, TIMER SYSTEM, OR WIRING FROM THAT SHOWN HEREIN, WILL VOID THE WARRANTY, AND MAY RESULT IN A VIOLATION OF FEDERAL LAW.



HEAD END

FOOT END

BRN (12 PLCS) 15913

FRONT OF BED (BOTTOM SIDE UP)

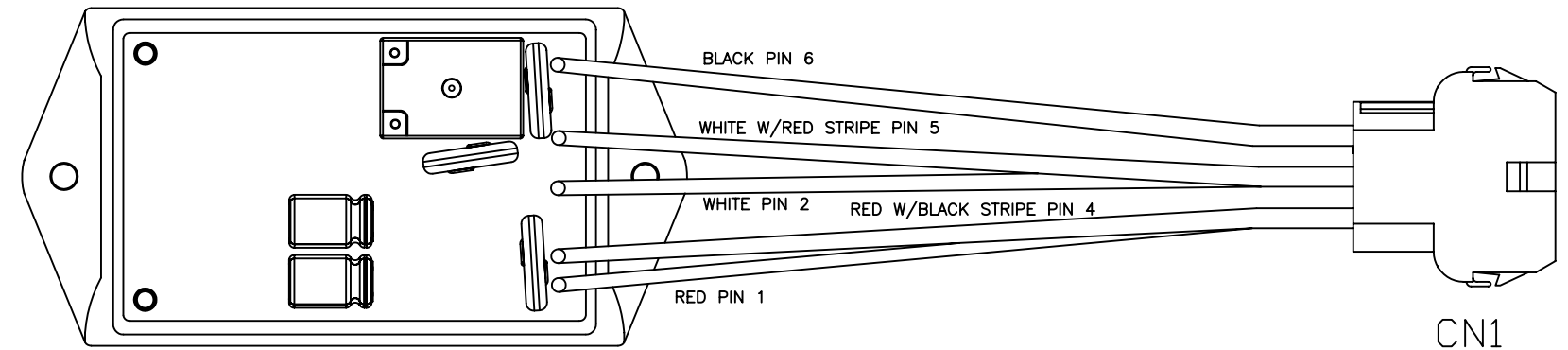
FAN HOUSING

PART#	BACK-UP TIMER DURATION
-01	8 MIN
-02	9 MIN
-03	10 MIN
-04	11 MIN
-05	12 MIN
-06	14 MIN
-07	15 MIN
-08	18 MIN
-09	20 MIN

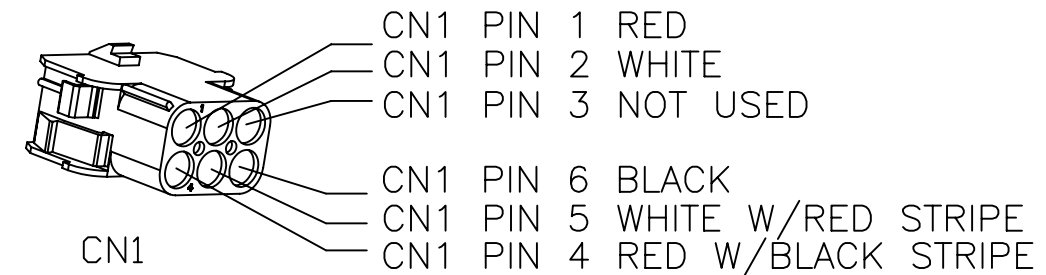
29270-01, REV A  
 332/332-3F SERIES MAIN TIMER  
 AND ELECTRONIC BACK-UP TIMER

29054-0x

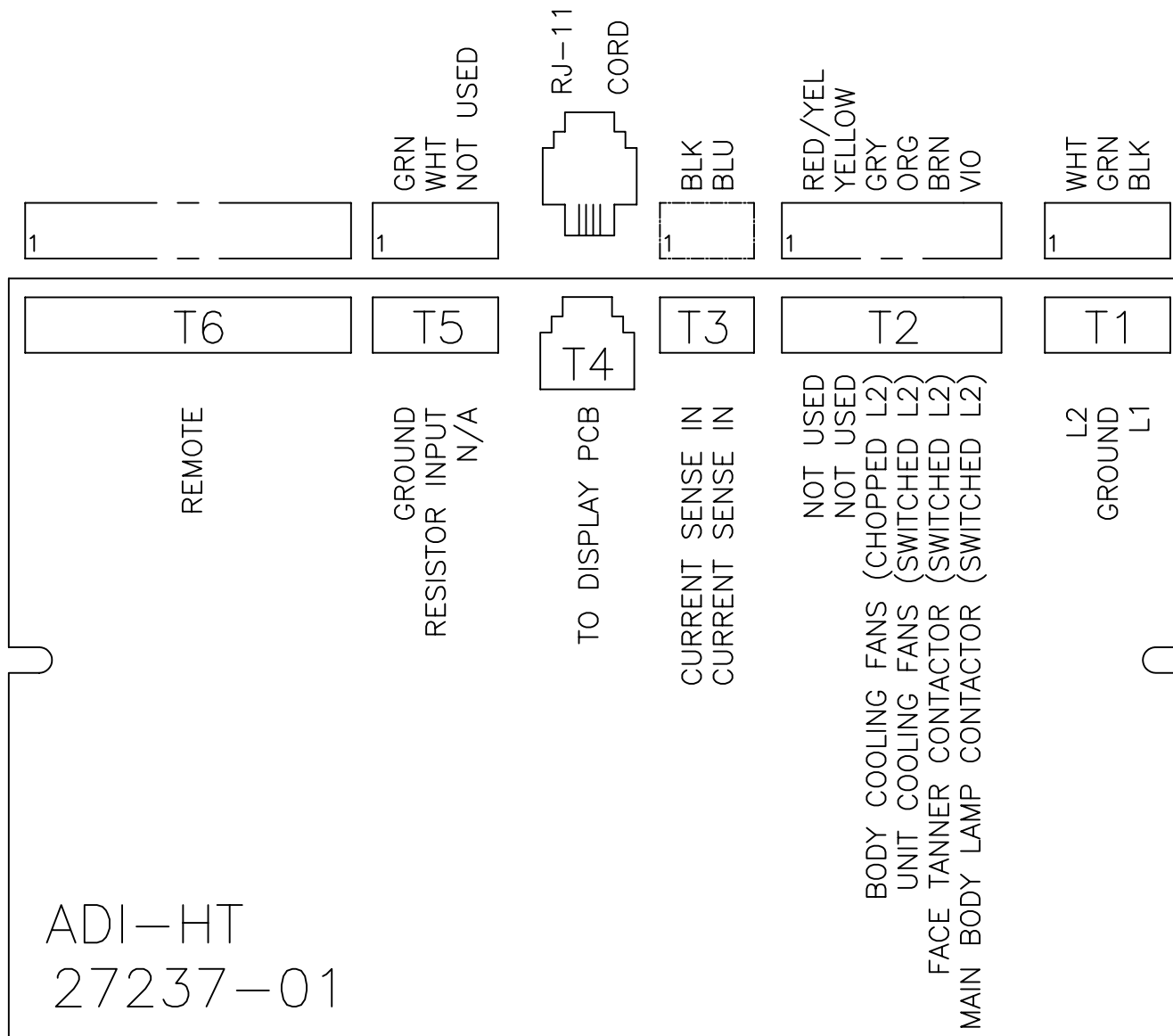
WHERE X CAN BE ANY NUMBER FROM 1-9  
 ADI-BRICK



- PIN 1: UNIT COOLING FANS INPUT (OUTPUT FROM MAIN TIMER) (SWITCHED L2)
- PIN 2: POWER (INPUT) (L1)
- PIN 3: N/A
- PIN 4: POWER (INPUT) (L1)
- PIN 5: MAIN BODY LAMPS INPUT (OUTPUT FROM MAIN TIMER) (SWITCHED L2)
- PIN 6: MAIN BODY LAMPS OUTPUT (TO MAIN BODY LAMP CONTACTOR) (SWITCHED L2)

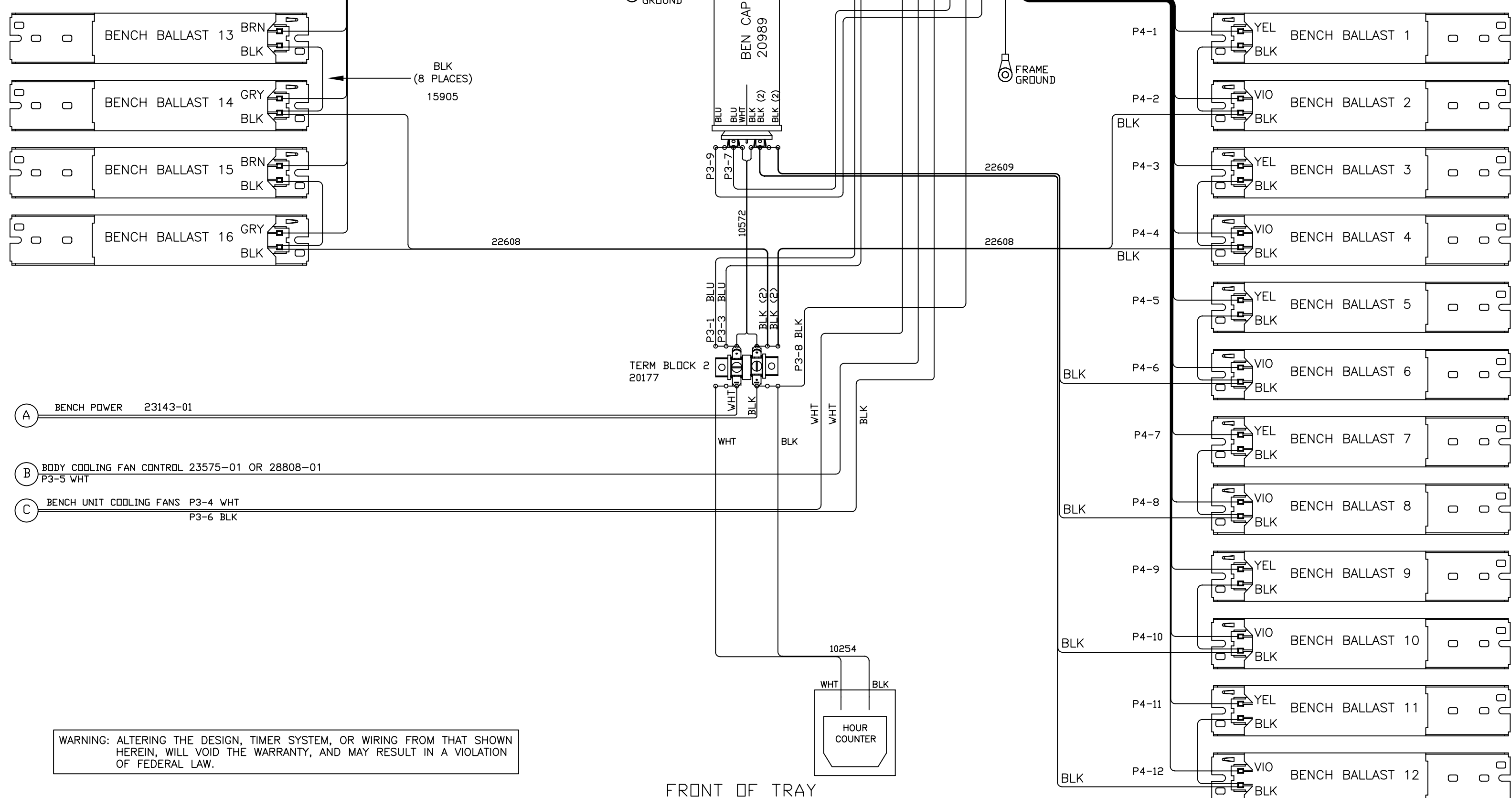
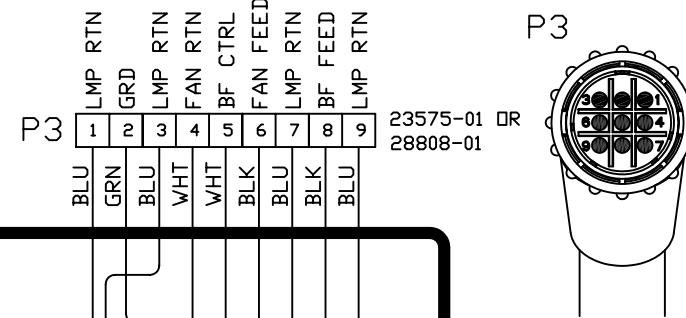
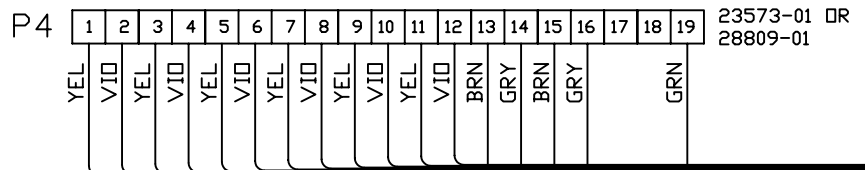
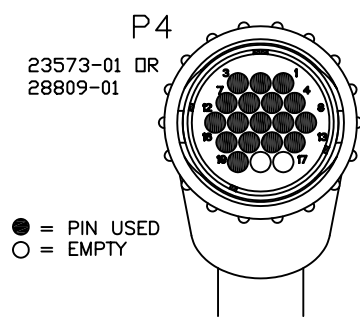


ELECTRONIC BACK-UP TIMER  
 CONNECTOR DIAGRAM  
 332/332-3F SERIES



ELECTRONIC MAIN TIMER  
 CONNECTOR DIAGRAM  
 332/332-3F SERIES

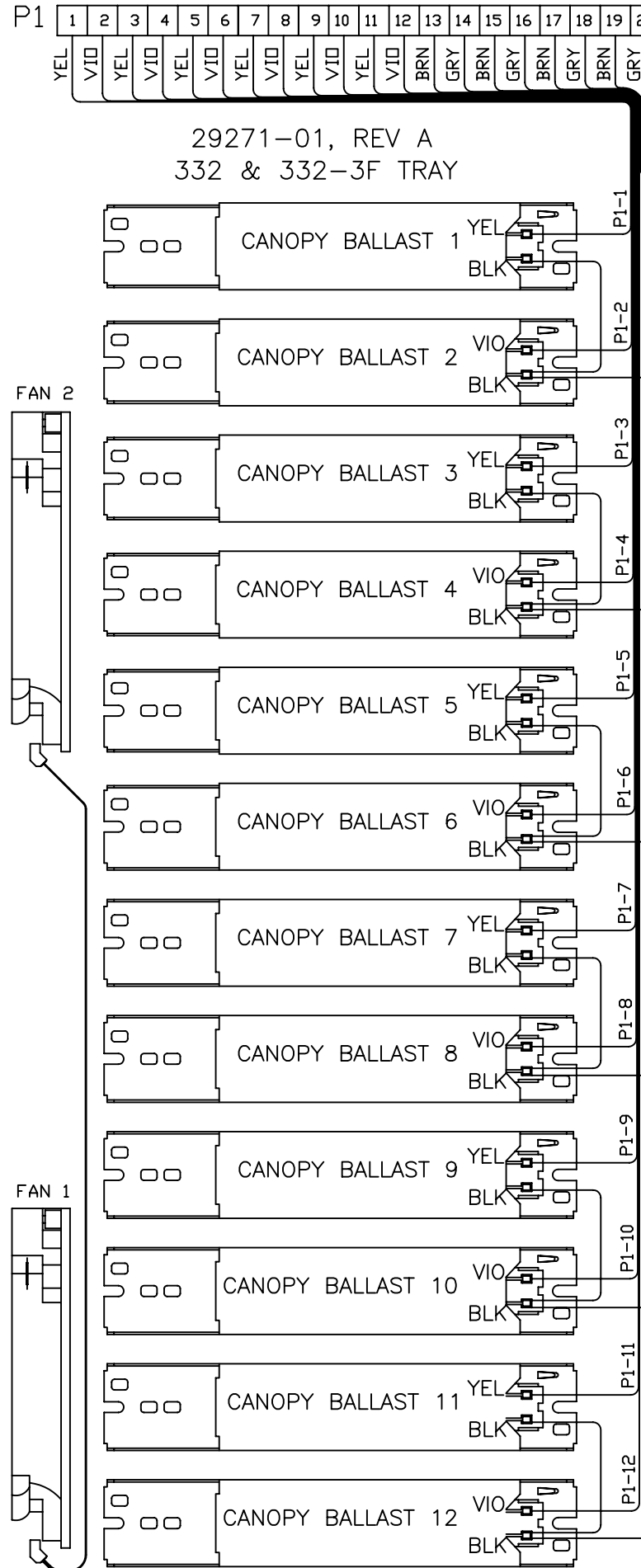
29271-01, REV A  
332 & 332-3F TRAY  
WIRING DIAGRAM



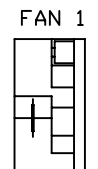
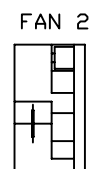
- (A) BENCH POWER 23143-01
- (B) BODY COOLING FAN CONTROL 23575-01 OR 28808-01  
P3-5 WHT
- (C) BENCH UNIT COOLING FANS P3-4 WHT  
P3-6 BLK

WARNING: ALTERING THE DESIGN, TIMER SYSTEM, OR WIRING FROM THAT SHOWN HEREIN, WILL VOID THE WARRANTY, AND MAY RESULT IN A VIOLATION OF FEDERAL LAW.

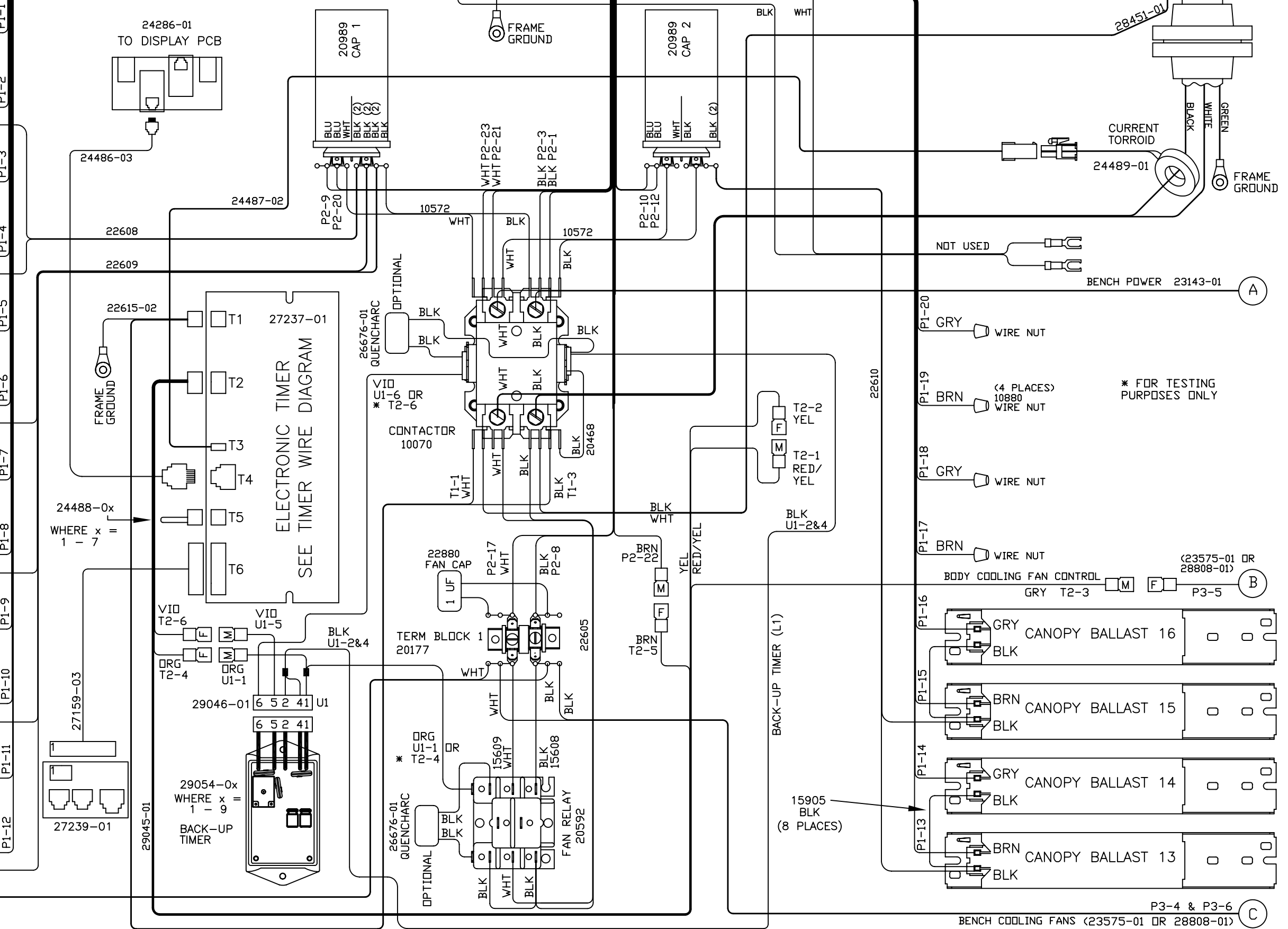
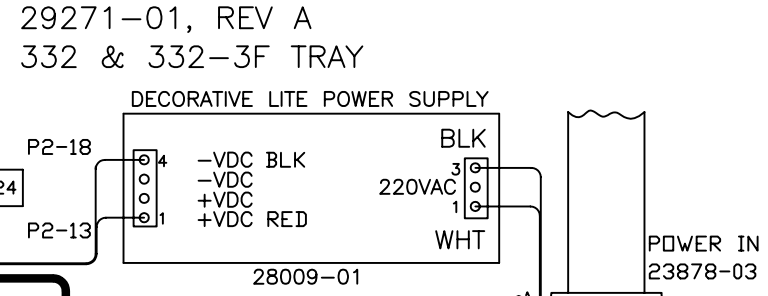
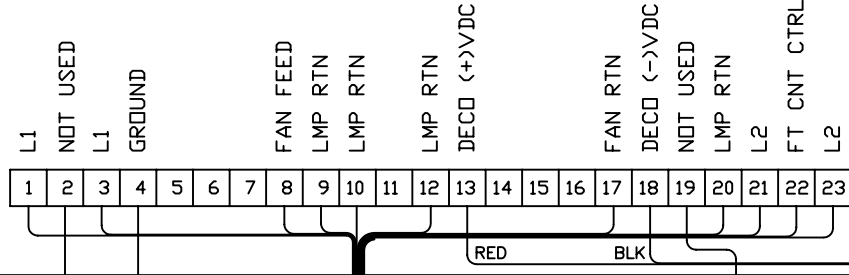
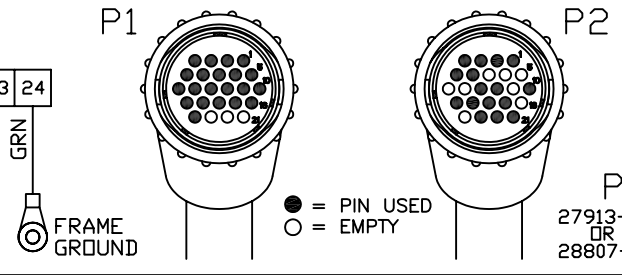
23574-01 OR 28806-01



### 29271-01, REV A 332 & 332-3F TRAY



24103-04



(A)

(B)

(C)

BENCH COOLING FANS (23575-01 OR 28808-01)